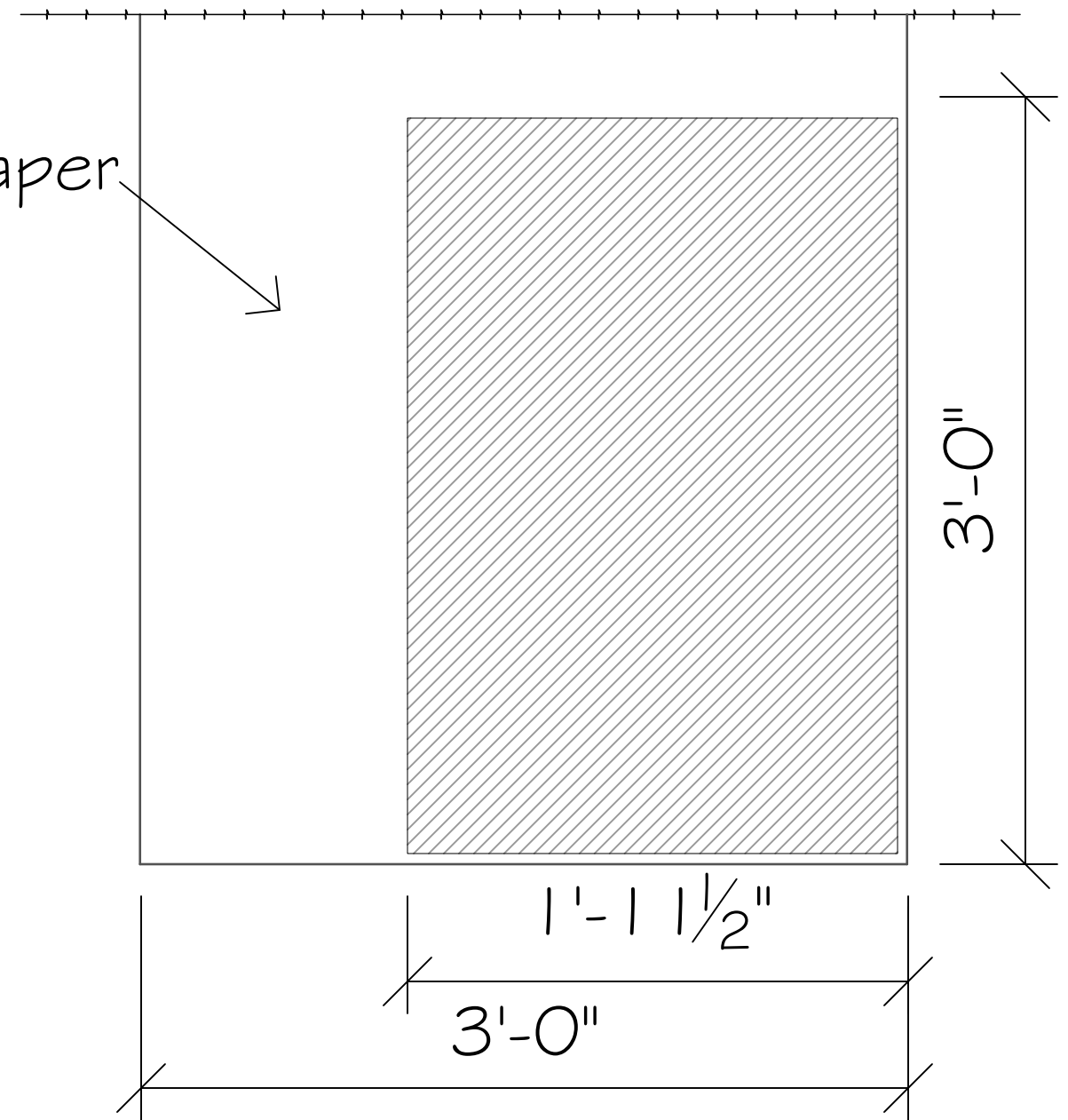


Autocad print result

36" roll of paper



Bricscad print result