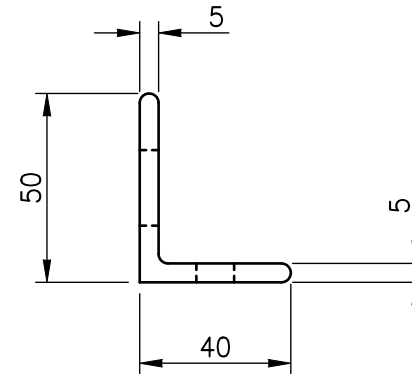
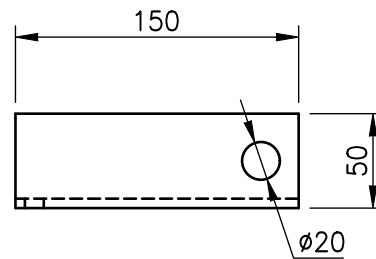
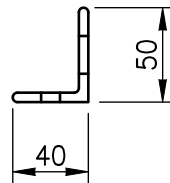
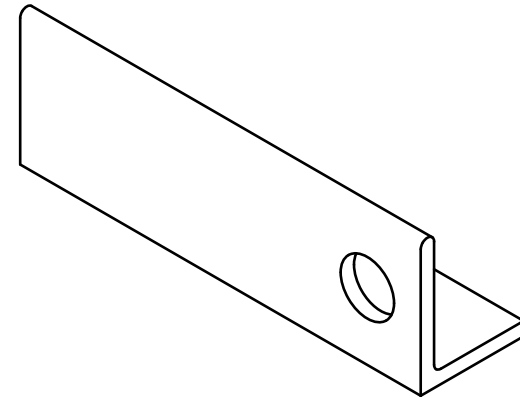
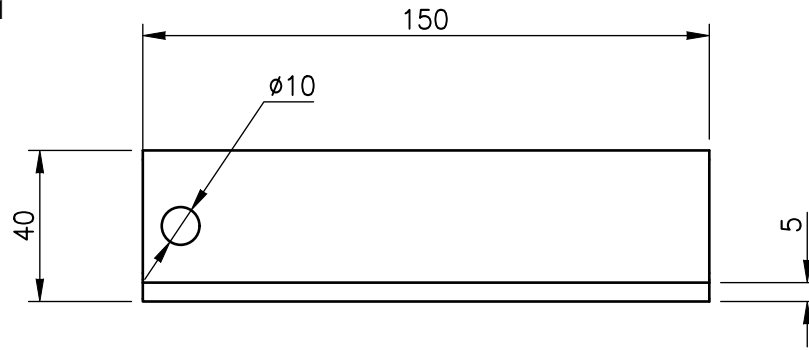


PLATFORM: Microsoft Windows NT Version 6.2 (x64)
 PROGRAM: BRICSCAD 17.2.12 (UNICODE)
 PROFILE: CCL-SAMPLE-V17
 USER: jason
 PRINTER: Print As PDF.pc3
 PAGESETUP: CCL-PDF-(A4 BW)-PS
 CMDNAMES: PRINT
 GENERATEASSOCVIEWS: 1

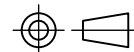


REV	DATE	DESCRIPTION	BY	CHK.	APP.



PHONE: +64 (9) 972 9052
 TOLL FREE: 0800 003 470
 WEB: www.cadconcepts.co.nz
 E-MAIL: info@cadconcepts.co.nz
 PO BOX 60580
 TITIRANGI, AUCKLAND 0642
 NEW ZEALAND

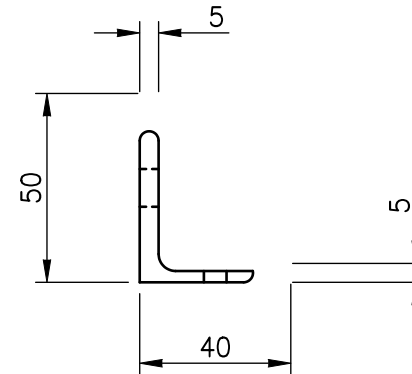
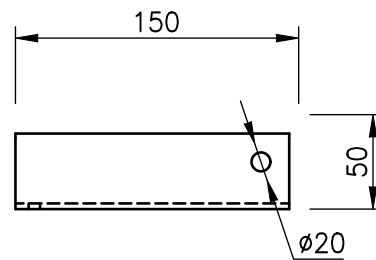
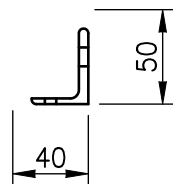
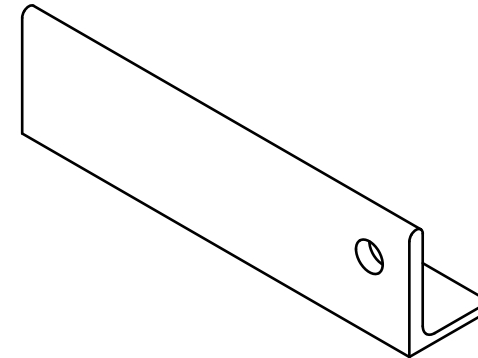
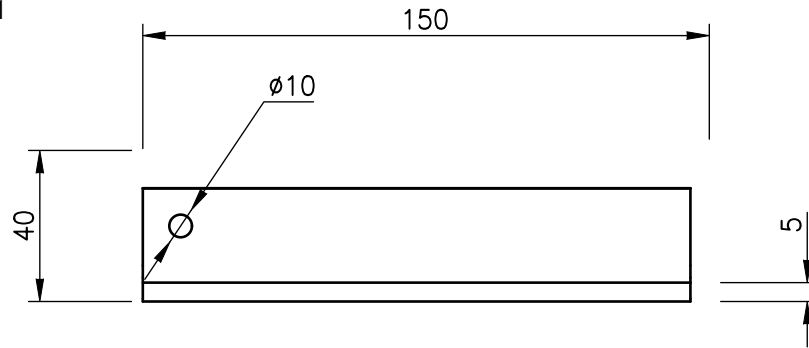
ALL DIMENSIONS IN mm
 UNLESS OTHERWISE STATED.
 DO NOT SCALE FROM DRAWING.
 IF IN ANY DOUBT ASK.



	NAME (PRINTED)	SIGN.	DATE
DRAWN			17/08/17
CHECKED			dd/mm/yy
APPROVED			dd/mm/yy

CAD CONCEPTS LTD.				JOB No
				SCALE
				1:1
DRAWING NUMBER	SHEET	REV.	SIZE	
	1 of 1	A	A4	

PLATFORM: Microsoft Windows NT Version 6.2 (x64)
 PROGRAM: BRICSCAD 17.2.12 (UNICODE)
 PROFILE: CCL-SAMPLE-V17
 USER: jason
 PRINTER: Print As PDF.pc3
 PAGESETUP: CCL-PDF-(A4 BW)-PS
 CMDNAMES: PRINT
 GENERATEASSOCVIEWS: 1



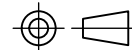
REV	DATE	DESCRIPTION	BY	CHK.	APP.



PHONE: +64 (9) 972 9052
 TOLL FREE: 0800 003 470
 WEB: www.cadconcepts.co.nz
 E-MAIL: info@cadconcepts.co.nz

PO BOX 60580
 TITIRANGI, AUCKLAND 0642
 NEW ZEALAND

ALL DIMENSIONS IN mm
 UNLESS OTHERWISE STATED.
 DO NOT SCALE FROM DRAWING.
 IF IN ANY DOUBT ASK.



	NAME (PRINTED)	SIGN.	DATE
DRAWN			19/08/17
CHECKED			dd/mm/yy
APPROVED			dd/mm/yy

CAD CONCEPTS LTD.				JOB No
				SCALE
				1:1
DRAWING NUMBER	SHEET	REV.	SIZE	
	1 of 1	A	A4	