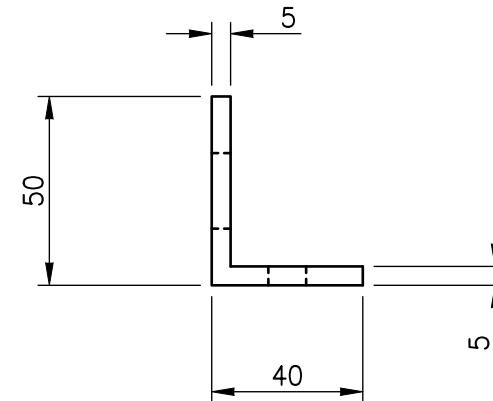
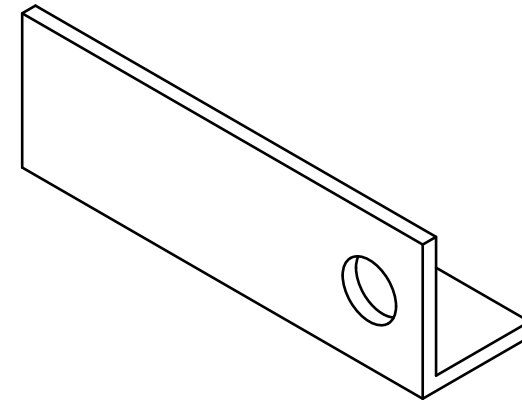
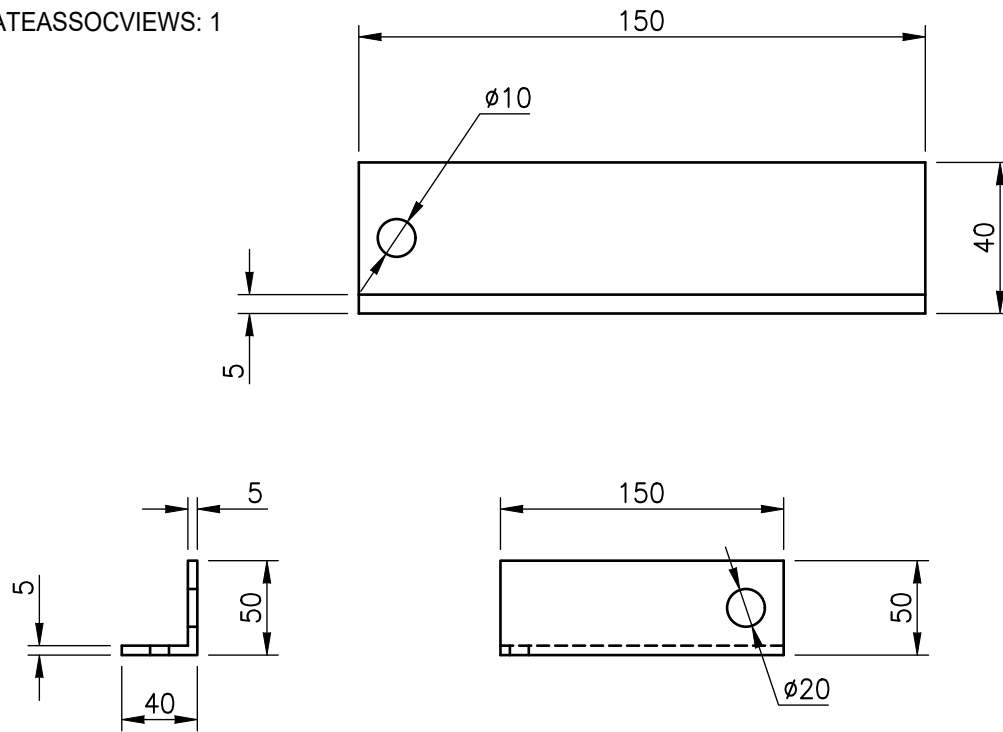




PLATFORM: Microsoft Windows NT Version 6.2 (x64)  
 PROGRAM: BRICSCAD 17.2.12 (UNICODE)  
 PROFILE: CCL-SAMPLE-V17  
 USER: jason  
 PRINTER: Print As PDF.pc3  
 PAGESETUP: CCL-PDF-(A4 BW)-PS  
 CMDNAMES: PRINT  
 GENERATEASSOCVIEWS: 1



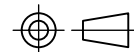
REV	DATE	DESCRIPTION	BY	CHK.	APP.



PHONE: +64 (9) 972 9052  
 TOLL FREE: 0800 003 470  
 WEB: [www.cadconcepts.co.nz](http://www.cadconcepts.co.nz)  
 E-MAIL: [info@cadconcepts.co.nz](mailto:info@cadconcepts.co.nz)

PO BOX 60580  
 TITIRANGI, AUCKLAND 0642  
 NEW ZEALAND

ALL DIMENSIONS IN mm  
 UNLESS OTHERWISE STATED.  
 DO NOT SCALE FROM DRAWING.  
 IF IN ANY DOUBT ASK.



	NAME (PRINTED)	SIGN.	DATE
DRAWN			19/08/17
CHECKED			dd/mm/yy
APPROVED			dd/mm/yy

CAD CONCEPTS LTD.				JOB No
				SCALE
				1:1
DRAWING NUMBER	SHEET	REV.	SIZE	
	1 of 1	A	A4	