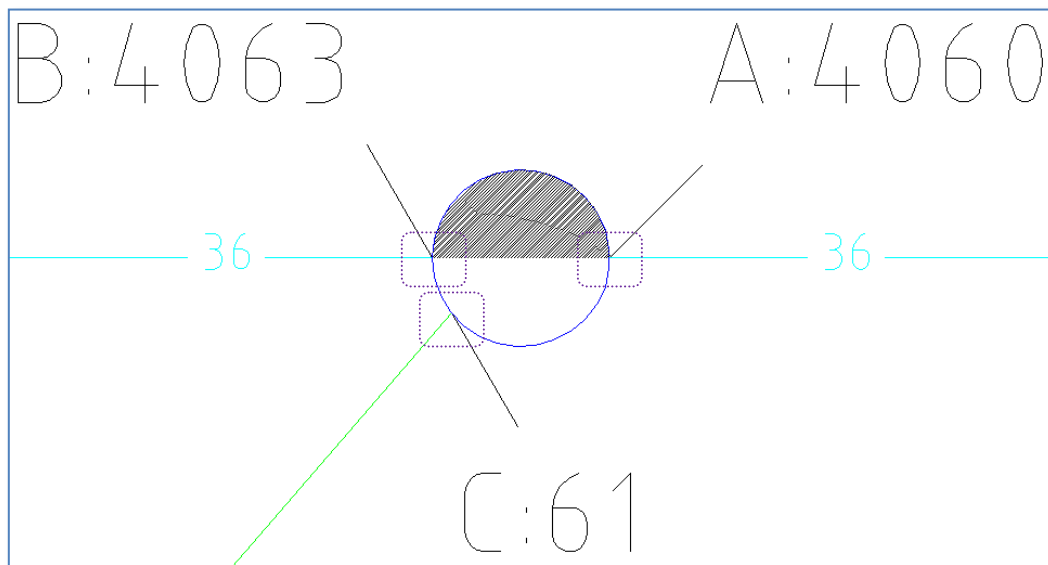


I tried the solution with "Run As Admin" but nothing changes.

I'll try to explain the problem. My module works perfect on 17.2.12-2 x64 but not on 18.1.05-1 x64

I need to find which value (block A:4060, B:4063 and C:61) is "linked" with which cable (polyline blue or green) on a "junction box" (block with circle and hatch).

In the example below, that seems to be simple because there are common "points" (symbolized by violet rectangle dots).



But, in fact, the reality is other :

C:61, cable green, circle Detection OK with intersectwith	A:4060, right cable blue, circle Detection OK with intersectwith	B:4063, left cable blue, circle Detection KO with intersectwith

At this point, the cable detection for B:4063 doesn't work because the three element has no full common part.

So I created a fictive circle around the blue circle to detect if I can find a full common part and use :

```
Index = acLine.IntersectWith(acCurrentEntityMHJxb, acExtendNone)
```

```
IndexCircle = acLine.IntersectWith(acCircle, acExtendNone)
```

acCurrentEntityMHJxb : the cable (green or blue)

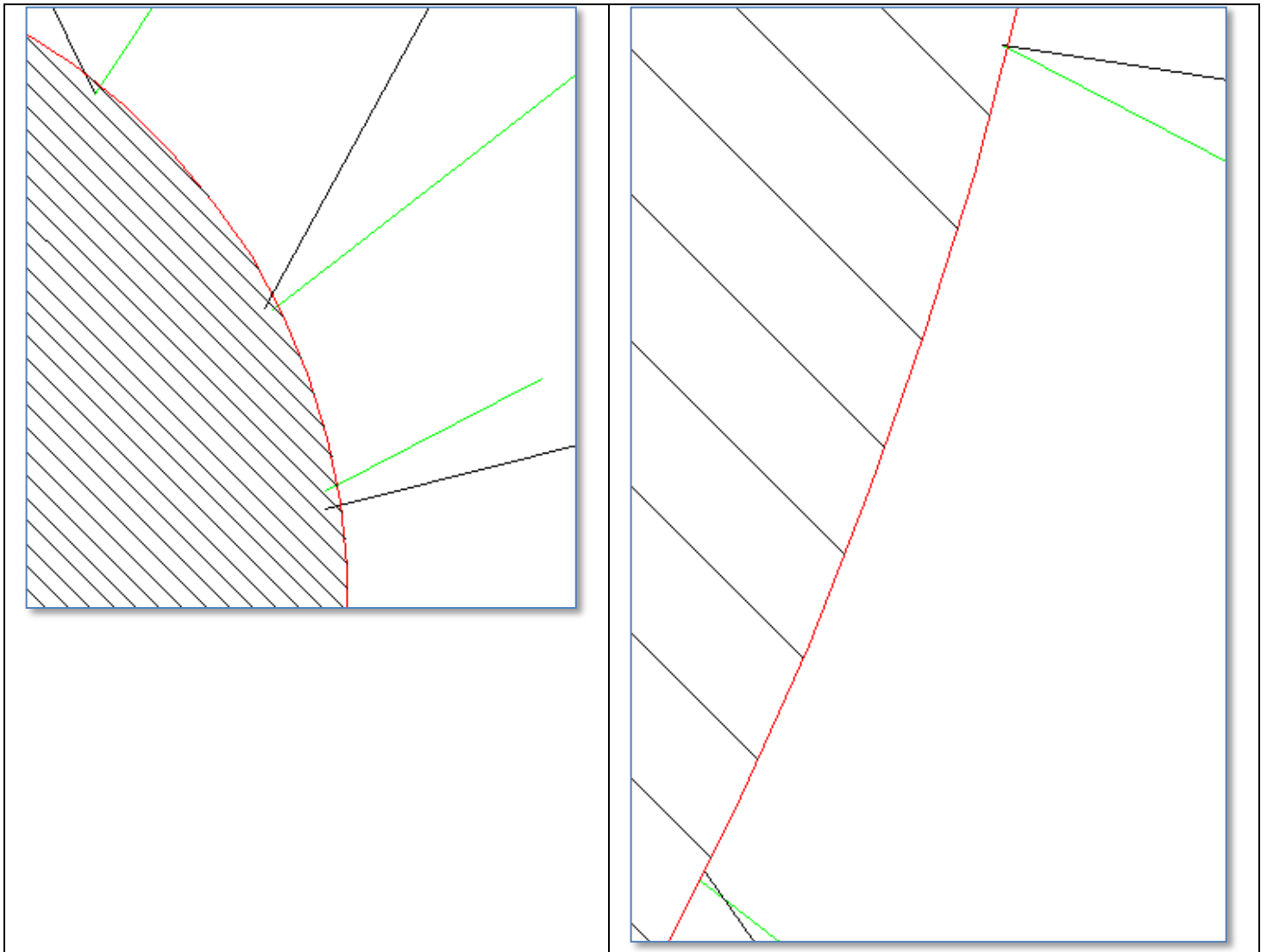
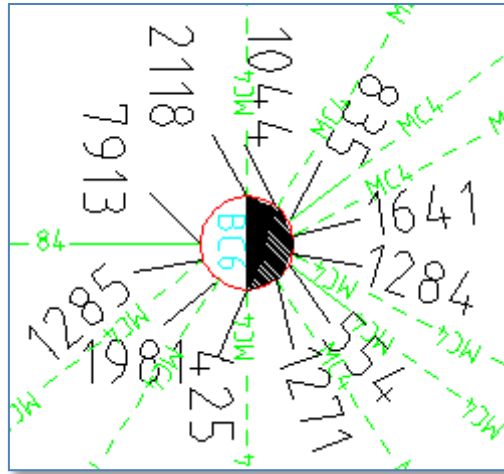
acLine : the polyline part of the block A, B or C

acCircle : the basis circle or the fictive circle (basis circle + extended radius).

So this works in 17.2.12-2 x64 without DoEvents BUT needs DoEvents in 18.1.05-1 x64. I tried my code on 18.1.05-1 x32 and the problem is the same. All code with VBA 7.1.

I used a simple demo.

Here's a more complicated situation (works in 17.2.12-2 x32/x64 but not in 18.1.05-1 x32/x64) :



The goal is to avoid to modify all informations to be compatible in 18.1.05-1 x64.

Kind Regards,